



[Evaluation Kit Available](#)



[Design Resources](#)



[Tools and Models](#)



[Support](#)

Click [here](#) to ask an associate for production status of specific part numbers.

4V to 60V, 100mA, Ultra-Low Quiescent Current, Linear Regulator

MAX17651

General Description

The MAX17651 ultra-low quiescent current, high-voltage linear regulator is ideal for use in industrial and battery-operated systems. The device operates from a 4V to 60V input voltage, delivers up to 100mA of load current, and consumes only 8 μ A of quiescent current at no load. The device consumes only 0.9 μ A current when in shutdown. Output voltage is adjustable in the 0.6V to 58V voltage range. Feedback voltage accuracy is $\pm 2\%$ over temperature.

An open-drain, active-low PGOOD pin provides a power-good signal to the system upon achieving successful regulation of the output voltage. The device also incorporates an enable pin (EN) that allows the user to turn the part on or off. The device has a thermal shutdown feature that shuts down the part when the die temperature exceeds 165°C. The MAX17651 operates over the -40°C to +125°C industrial temperature range and is available in a 6 lead, compact TSOT and a 6-pin (3mm x 3mm) TDFN packages.

Applications

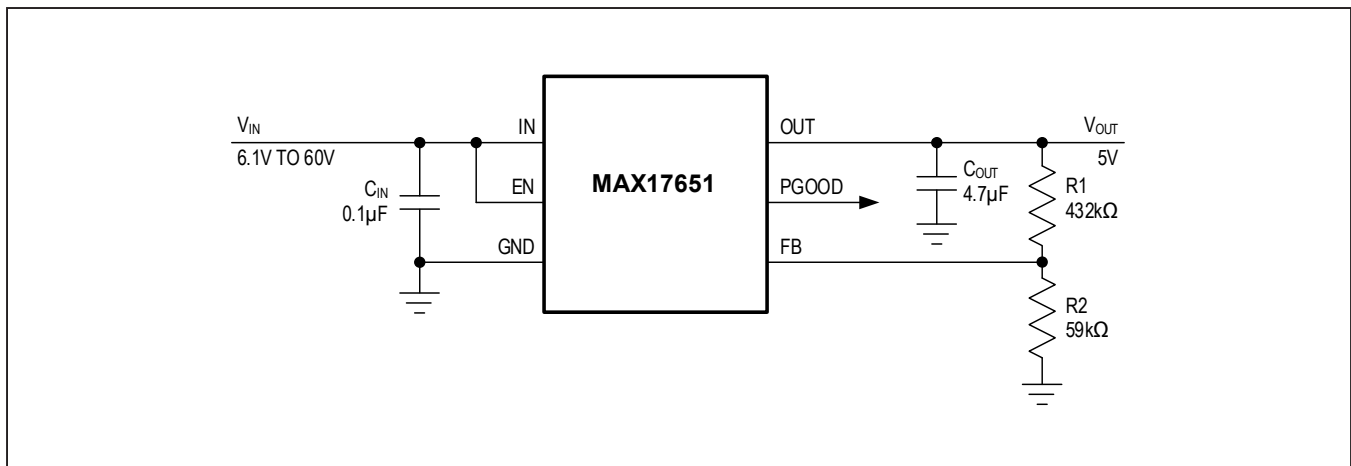
- Low-Current Industrial Power Supplies
- Battery-Powered Equipment
- Post Regulator for Switching Power Supplies
- Utility Meters
- Remote Sensors

Benefits and Features

- Extremely Easy to Use
 - Only 4 External Components Required
 - Stable with Tiny 4.7 μ F, 0805 Output Capacitor
 - All Ceramic Capacitors, Compact Layout
- Reduces Number of Linear Regulators to Stock
 - Wide 4V to 60V Input Voltage Range
 - Adjustable 0.6V to 58V Output
 - Up to 100mA Load Current Capability
- Operates Reliably in Adverse Industrial Environments
 - Built-In Output Voltage Monitoring with PGOOD Pin
 - High-Voltage ENABLE Input
 - Low 8 μ A Quiescent Current
 - Low Dropout Voltage of 560mV at 100mA
 - Overload Protection
 - Overtemperature Protection
 - Wide -40°C to +125°C Ambient Operating Temperature Range / -40°C to +150°C Junction Temperature Range

[Ordering Information](#) appears at end of data sheet.

Application Circuit for 5V Output



19-7454; Rev 4; 12/21

Absolute Maximum Ratings

IN to GND.....	-0.3V to +70V	Operating Temperature Range (Note 1).....	-40°C to +125°C
EN, OUT to GND.....	-0.3V to IN + 0.3V	Junction Temperature.....	+150°C
FB, PGOOD to GND.....	-0.3V to +6V	Storage Temperature Range.....	-65°C to +160°C
Output Short-Circuit Duration.....	Continuous	Lead Temperature (soldering 10s).....	+300°C

Stresses beyond those listed under "Absolute Maximum Ratings" may cause permanent damage to the device. These are stress ratings only; functional operation of the device at these or any other conditions beyond those indicated in the operational sections of the specifications is not implied. Exposure to absolute maximum rating conditions for extended periods may affect device reliability.

Note 1: Junction temperature greater than +125°C degrades operating lifetimes.

Package Information

PACKAGE TYPE: 6 TSOT	
Package Code	Z6+1
Outline Number	21-0114
Land Pattern Number	90-0242
THERMAL RESISTANCE, FOUR-LAYER BOARD	
Continuous Power Dissipation (T _A = +70°C) (derate 9.1mW/°C above +70°C)	727mW
Junction to Ambient (θ _{JA})	110°C/W
Junction-to-Case Thermal Resistance (θ _{JC})	50°C/W
PACKAGE TYPE: 6 TDFN	
Package Code	T633+2C
Outline Number	21-0137
Land Pattern Number	90-0058
THERMAL RESISTANCE, FOUR-LAYER BOARD	
Continuous Power Dissipation (T _A = +70°C) (derate 23.80mW/°C above +70°C)	1904.80mW
Junction to Ambient (θ _{JA})	42°C/W
Junction-to-Case Thermal Resistance (θ _{JC})	9°C/W

For the latest package outline information and land patterns (footprints), go to www.maximintegrated.com/packages. Note that a "+", "#", or "-" in the package code indicates RoHS status only. Package drawings may show a different suffix character, but the drawing pertains to the package regardless of RoHS status.

Package thermal resistances were obtained using the method described in JEDEC specification JESD51-7, using a four-layer board. For detailed information on package thermal considerations, refer to www.maximintegrated.com/thermal-tutorial.

Electrical Characteristics

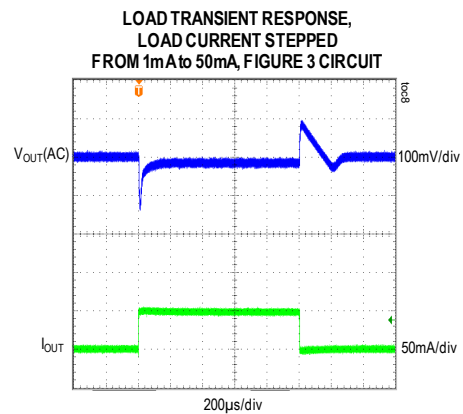
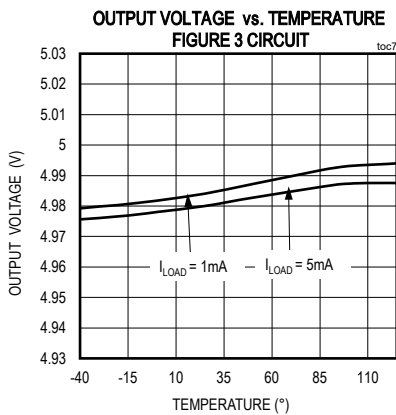
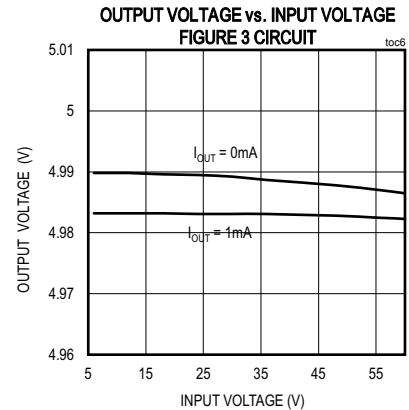
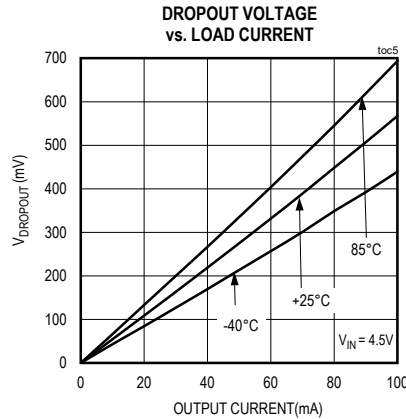
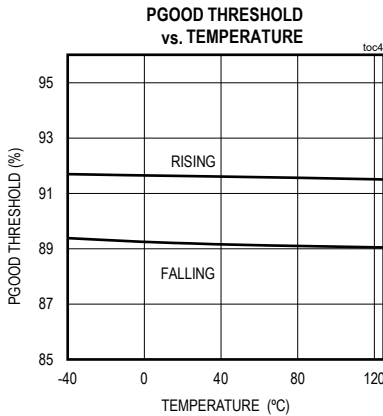
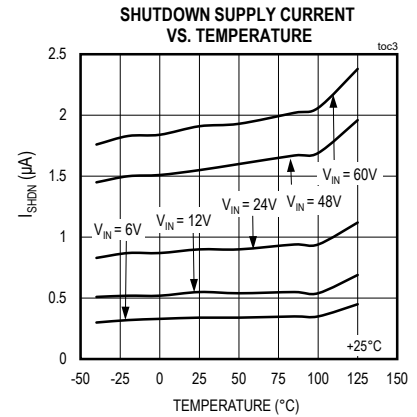
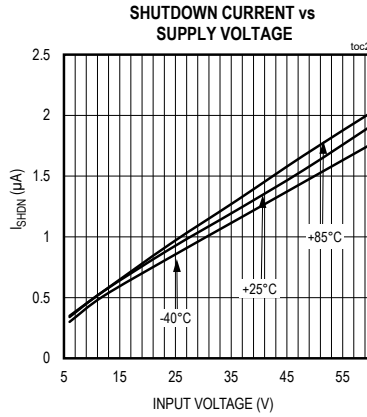
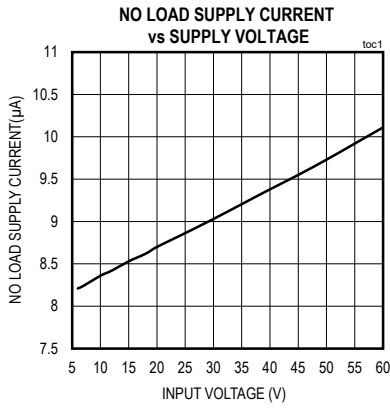
($V_{IN} = V_{EN} = 12V$, $V_{FB} = V_{OUT}$, PGOOD = OPEN, VGND = 0V, $C_{OUT} = 4.7\mu F$, $T_A = -40^\circ C$ to $+125^\circ C$, unless otherwise noted. Typical values are at $T_A = +25^\circ C$. All voltages are referenced to GND, unless otherwise noted.) (Note 2)

PARAMETER	SYMBOL	CONDITIONS	MIN	TYP	MAX	UNIT
INPUT SUPPLY (V_{IN})						
Input Voltage Range	V_{IN}		4		60	V
Input Supply Current	I_{IN-SH}	$V_{EN} = 0V$, shutdown mode		0.9	1.8	μA
	I_{IN-Q}	$V_{EN} = V_{IN}$, $I_{LOAD} = 0mA$		8	15	μA
ENABLE (EN)						
EN Threshold	V_{ENR}	V_{EN} rising	2			V
	V_{ENF}	V_{EN} falling			0.6	V
EN Leakage Current	I_{EN}	$T_A = +25^\circ C$	-100		+100	nA
FEEDBACK (FB)						
FB Regulation Voltage	V_{FB-REG}		0.588	0.6	0.612	V
FB Input Leakage Current	I_{FB}	$V_{FB} = 0.6V$, $T_A = 25^\circ C$	-25		+25	nA
CURRENT LIMIT						
Current Limit Threshold	I_{LIMIT}	$V_{IN} = 5.5V$, $V_{OUT} = 4.5V$	101	140	165	mA
PGOOD						
PGOOD Rising Threshold	$V_{PGOOD-RISE}$	V_{FB} rising	89.5	92	94.5	%
PGOOD Falling Threshold	$V_{PGOOD-FALL}$	V_{FB} falling	87	89.5	92	%
PGOOD Output Level Low		$I_{PGOOD} = 1mA$			0.2	V
PGOOD Output leakage Current		$V_{PGOOD} = 5.5V$, $T_A = +25^\circ C$			1	μA
OUTPUT VOLTAGE						
Dropout Voltage	V_{DO}	$V_{IN} = 4.5V$, $I_{LOAD} = 50mA$		280	550	mV
		$V_{IN} = 4.5V$, $I_{LOAD} = 100mA$		560	1100	
Line Regulation		$V_{IN} = 4V$ to $60V$, $V_{OUT} = FB$, $I_{LOAD} = 1mA$		0.1		%
Load Regulation		$0.1mA < I_{LOAD} < 100mA$, $V_{OUT} = FB$		0.5	1.2	%
THERMAL SHUTDOWN						
Thermal-Shutdown Threshold		Temperature rising		165		$^\circ C$
Thermal-Shutdown Hysteresis				15		$^\circ C$

Note 2: All electrical specifications are 100% production tested at $T_A = +25^\circ C$. Specifications over the operating temperature range are guaranteed by design and characterization.

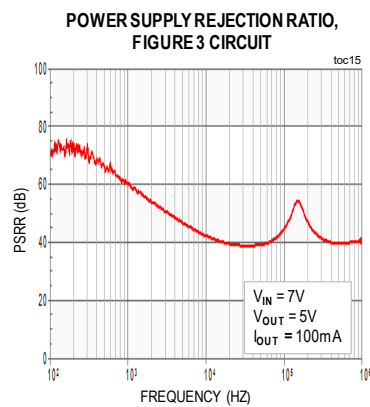
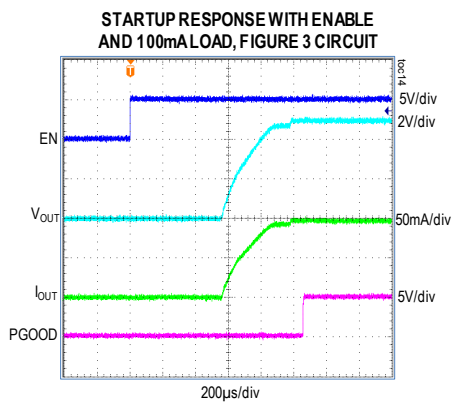
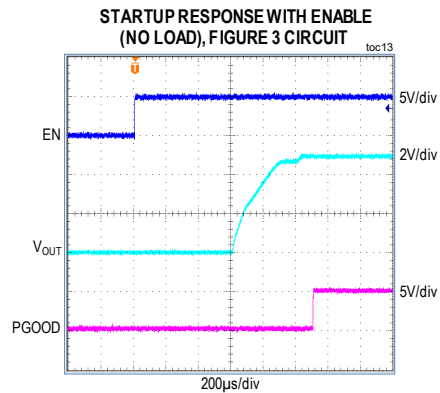
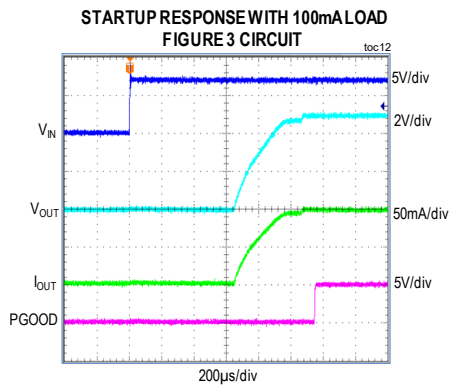
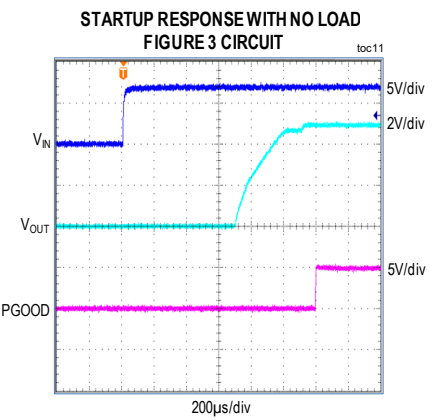
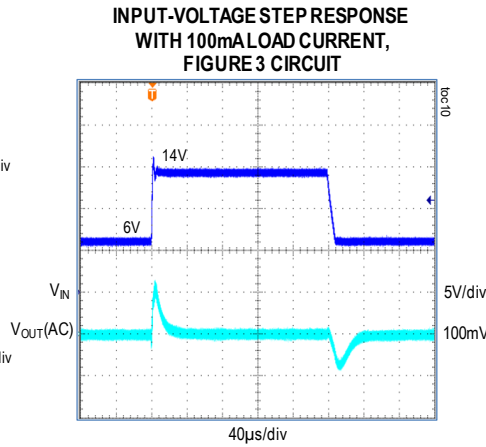
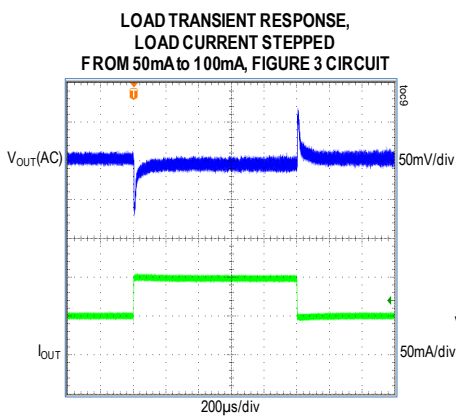
Typical Operating Characteristics

($V_{IN} = V_{EN} = 7V$, $V_{OUT} = 5V$, $C_{OUT} = 4.7\mu F$ $T_A = +25^\circ C$, unless otherwise noted.)



Typical Operating Characteristics (continued)

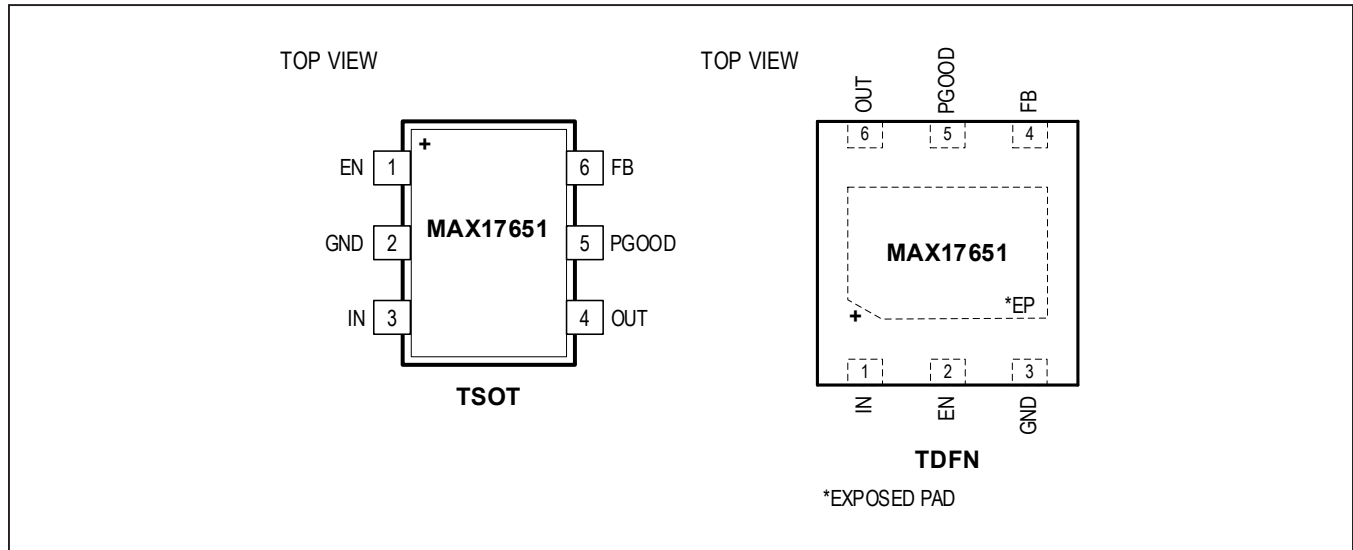
($V_{IN} = V_{EN} = 7V$, $V_{OUT} = 5V$, $C_{OUT} = 4.7\mu F$ $T_A = +25^\circ C$, unless otherwise noted.)



MAX17651

4V to 60V, 100mA, Ultra-Low Quiescent Current,
Linear Regulator

Pin Configuration



Pin Description

PIN		NAME	FUNCTION
TSOT	TDFN		
1	2	EN	Active-High, Enable Input. Force EN high (or connect to IN) to turn the regulator on. Pull EN to GND to place the device in a low-power shutdown mode.
2	3	GND	Ground. Connect GND to the ground plane.
3	1	IN	Power-Supply Input. Decouple to GND with a 0.1 μ F capacitor; place the capacitor close to the IN and GND pins.
4	6	OUT	Regulator Output. Connect at least 4.7 μ F, 0805 capacitor from OUT to GND.
5	5	PGOOD	Open-Drain PGOOD Output. Pull up PGOOD to an external power supply. PGOOD pulls low if FB drops below 89% of its set value. PGOOD goes high after FB rises above 92% of its set value. The PGOOD pin can be left floating if not used.
6	4	FB	Output Feedback Connection. Connect FB to a resistor divider between V_{OUT} and GND to adjust the output voltage from 0.6V to 59V.
–	–	EP	Exposed Pad (TDFN Only). Always connect EP to the GND pin of the IC. Connect EP to a large GND plane with several thermal vias for best thermal performance. Refer to the <i>MAX17651ATT EV kit data sheet</i> for an example of the correct method for EP connection and thermal vias.

Functional Diagram

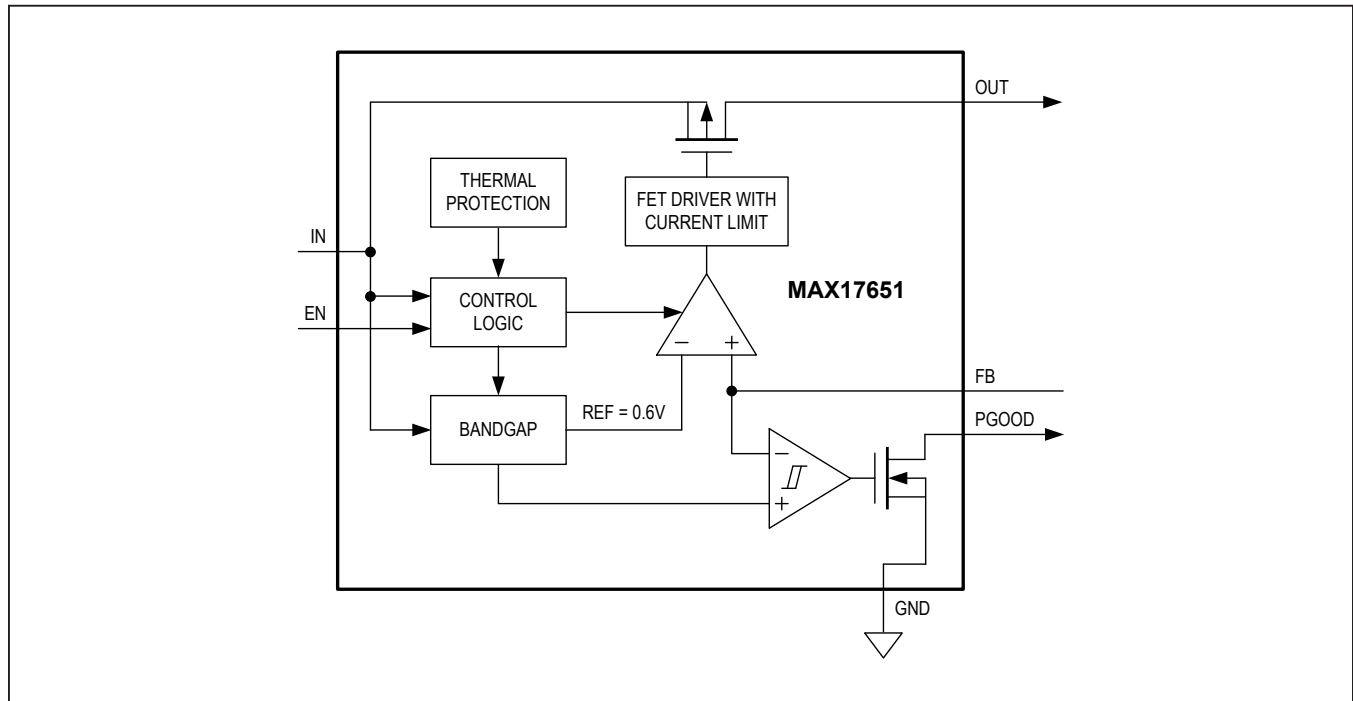


Figure 1. Block Diagram

Detailed Description

The MAX17651 ultra-low quiescent current, high-voltage linear regulator is ideal for use in industrial and battery-operated systems. The device operates from a 4V to 60V input voltage, delivers up to 100mA of load current and consumes only 8 μ A of quiescent current at no load. The device consumes only 0.9 μ A current when in shutdown. Output voltage is adjustable from 0.6V to 58V voltage range. Feedback voltage accuracy is $\pm 2\%$ over temperature.

An open-drain, active-low PGOOD pin provides a power-good signal to the system upon achieving successful regulation of the output voltage. The device also incorporates an enable pin (EN) that allows the user to turn the part on or off. The device has a thermal shutdown feature that shuts down the part when the die temperature exceeds 165°C. The MAX17651 operates over the -40°C to +125°C industrial temperature range and is available in a compact, 6-lead TSOT and a 6-pin (3mm x 3mm) TDFN packages.

EN Input

EN is an active-high, logic-level enable input that turns the device on or off. Drive EN high to turn the device on. While in shutdown, the device consumes only 0.9 μ A (typ).

EN withstands voltages up to $V_{IN} + 0.3V$, allowing it to be driven by high input-level voltages, or be connected to IN for always-on operation.

Thermal Protection

When the junction temperature exceeds +165°C, an internal thermal sensor turns the pass transistor off, allowing the device to cool. The thermal sensor turns the pass transistor on again after the junction temperature cools by 15°C. This results in a cycled output during continuous thermal-overload conditions. Thermal protection protects the MAX17651 in the event of fault conditions.

Output Short-Circuit Current Limit

The MAX17651 features a 140mA (typ) current limit. The output can be shorted to GND for an indefinite period without damage to the device. During a short-circuit event, the power dissipated across the internal pass transistor can quickly heat the device. When the die temperature reaches +165°C, the MAX17651 shuts down and automatically restarts once the die temperature cools by 15°C.

Applications Information

Output Voltage Setting

The output voltage can be programmed from 0.6V to 58V. Set the output voltage by connecting a resistor divider from output to FB to GND. Choose R2 = 59kΩ, then calculate R1 with the following equation:

$$R1 = 98.3 \times (V_{OUT} - 0.6)\text{k}\Omega$$

Output Capacitor Selection

If the output voltage is less than 1.8V, use a low-ESR 10μF(min) 0805 ceramic output capacitor for good load transient response. If the output voltage is greater than or equal to 1.8V, use a low-ESR 4.7μF(min) 0805 ceramic output capacitor.

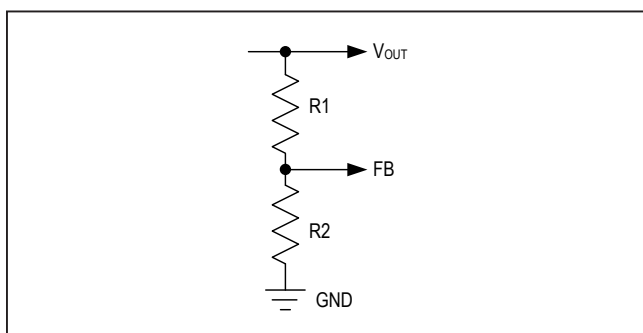


Figure 2. Setting the Output Voltage

Available Output Current Calculation

At a particular operating condition, the power loss that leads to the temperature rise of the part is estimated as follows:

$$P_{LOSS} = (V_{IN} - V_{OUT}) \times I_{LOAD}$$

where V_{IN} is the input voltage, V_{OUT} is the output voltage, and I_{LOAD} is the load current.

For a multilayer board, the thermal performance metrics for the packages are given below:

$$\theta_{JA} = 42^{\circ}\text{C/W for TDFN package}$$

$$\theta_{JA} = 110^{\circ}\text{C/W for TSOT package}$$

The junction temperature of the MAX17651 can be estimated at any given maximum ambient temperature (T_{A_MAX}) from the equation below:

$$T_J = T_{A_MAX} + (\theta_{JA} \times P_{LOSS})$$

Junction temperature greater than +125°C degrades operating lifetimes. Calculate the maximum allowable output current, using the following formula:

$$I_{LOAD(MAX)} = \frac{(125 - T_{A_MAX})}{\theta_{JA} \times (V_{IN} - V_{OUT})}$$

Example: $T_{A_MAX} = +70^{\circ}\text{C}$, $V_{IN} = 24\text{V}$, $V_{OUT} = 5\text{V}$, $\theta_{JA} = 42^{\circ}\text{C/W}$ for TDFN package

$$I_{LOAD(MAX)} = \frac{(125 - 70)}{42 \times (24 - 5)} \cong 69\text{mA}$$

Typical Application Circuit

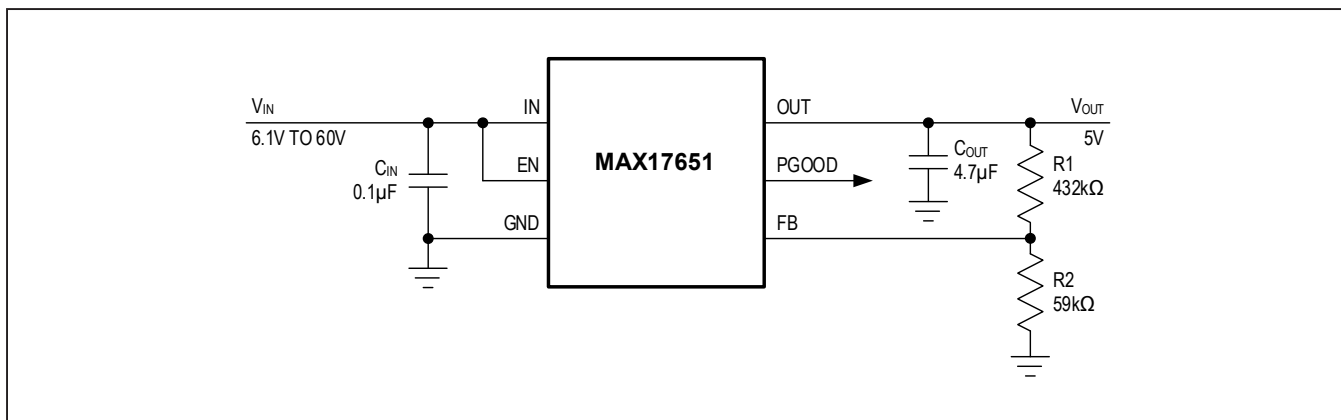


Figure 3. Application Circuit for 5V output

MAX17651

4V to 60V, 100mA, Ultra-Low Quiescent Current,
Linear Regulator

Chip Information

PROCESS: BICMOS

Ordering Information

PART	PIN-PACKAGE	TEMP RANGE
MAX17651AZT+	6 TSOT	-40°C to +125°C
MAX17651AZT+T	6 TSOT	-40°C to +125°C
MAX17651ATT+	6 TDFN-EP*	-40°C to +125°C
MAX17651ATT+T	6 TDFN-EP*	-40°C to +125°C

*EP = Exposed pad.

+Denotes a lead(Pb)-free/RoHS-compliant package.

T = Tape and reel

Revision History

REVISION NUMBER	REVISION DATE	DESCRIPTION	PAGES CHANGED
0	11/14	Initial release	—
1	3/16	Updated <i>Electrical Characteristics</i> table and <i>Typical Operating Characteristics</i> section	1–4, 6, 7
2	3/17	Updated maximum input voltage range	1–6
3	9/17	Updated title, <i>Electrical Characteristics</i> table, and the <i>Benefits and Features</i> and <i>Available Output Current Calculation</i> sections. Replaced Note 1 for the <i>Absolute Maximum Ratings</i> section	1–9
3.1		Closed the parentheses for the <i>Typical Operating Characteristics</i> global characteristics	4–5
4	12/21	Added new package (TDFN). Updated <i>General Description</i> , <i>Benefits and Features</i> , <i>Application Circuit</i> , <i>Absolute Maximum Ratings</i> , <i>Package Information</i> , <i>Typical Operating Characteristics</i> , <i>Pin Configuration</i> , <i>Pin Description</i> , <i>Detailed Description</i> , <i>Available Output Current Calculation</i> , <i>Typical Application Circuit</i> , and <i>Ordering Information</i> .	1, 2, 4–9



Information furnished by Analog Devices is believed to be accurate and reliable. However, no responsibility is assumed by Analog Devices for its use, nor for any infringements of patents or other rights of third parties that may result from its use. Specifications subject to change without notice. No license is granted by implication or otherwise under any patent or patent rights of Analog Devices. Trademarks and registered trademarks are the property of their respective owners.

Mouser Electronics

Authorized Distributor

Click to View Pricing, Inventory, Delivery & Lifecycle Information:

[Analog Devices Inc.:](#)

[MAX17651AZT+T](#)

Other:

[MAX17651ATT+](#) [MAX17651ATT+T](#)