

# PCL-M10

## Industrial Accelerometer

**NEW**



**CE FCC**

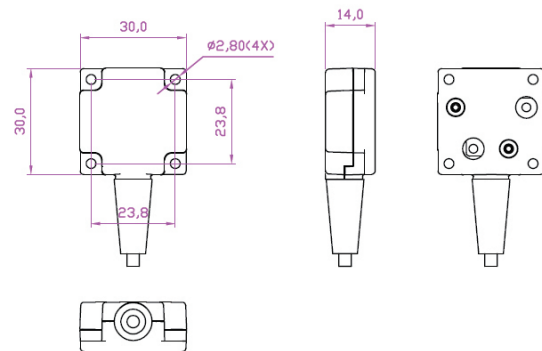
Unit: mm

### Specifications

|             | Item                   | English                           | SI                                |
|-------------|------------------------|-----------------------------------|-----------------------------------|
| Performance | Sensitivity            | ±80 mV/g                          | ±8.16 mV/(m/s <sup>2</sup> )      |
|             | Sensitivity Drift      | ±5 % @ 32~128 °F                  | ±5 % @ 0~60 °C                    |
|             | Linearity              | ±0.1 %                            | ±0.1 %                            |
|             | Cross Axis Sensitivity | ±1 % (X-Y) & (X-Z)                | ±1 % (X-Y) & (X-Z)                |
|             | Measurement Range      | ±50 g peak                        | ±40.5m/s <sup>2</sup> peak        |
|             | Frequency Range        | 1~10kHz                           | 1~10kHz                           |
|             | Frequency Response     | 11 KHz @-3dB Bandwidth            | 11 KHz @-3dB Bandwidth            |
| Electrical  | Excitation Voltage     | +16~28 V <sub>DC</sub>            | +16~28 V <sub>DC</sub>            |
|             | Supply Current         | typical : 15 mA<br>maximum: 30 mA | typical : 15 mA<br>maximum: 30 mA |
|             | Output Current         | 0 ~ 20 mA                         | 0 ~ 20 mA                         |
|             | Output Offset          | ±10 %                             | ±10 %                             |
|             | Load                   | maximum: 500 Ω<br>(with WISE-750) | maximum: 500 Ω<br>(with WISE-750) |
| General     | Dimension              | 1.18 x 1.18 x 0.55 inch           | 30 x 30 x 14 mm                   |
|             | Weight                 | 3oz                               | 85g                               |
|             | Cable Length*          | 9.84 ft                           | 3m                                |
|             | Operation Temperature  | 32~158 °F                         | 0~70 °C                           |
|             | Certification          | CE, FCC                           |                                   |

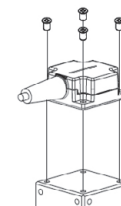
\*Standard length is 3m, customized length is available.

### Dimensions

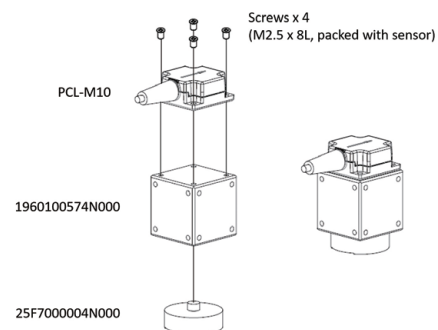


### Sensor Mounting

#### 1. Direct Mounting



#### 2. Mounting with adaptor and magnet plate



### Ordering Information

| Part Number | Description                          |
|-------------|--------------------------------------|
| PCL-M10-3E  | Industrial Accelerometer, 80mV/g, 3m |

### Optional Accessories

| Part Number    | Description         |
|----------------|---------------------|
| 25F7000004N000 | Magnet D30XH9mm     |
| 1960100574N000 | Adaptor for PCL-M10 |

# Mouser Electronics

Authorized Distributor

Click to View Pricing, Inventory, Delivery & Lifecycle Information:

[Advantech:](#)

[PCL-M10-3E](#)